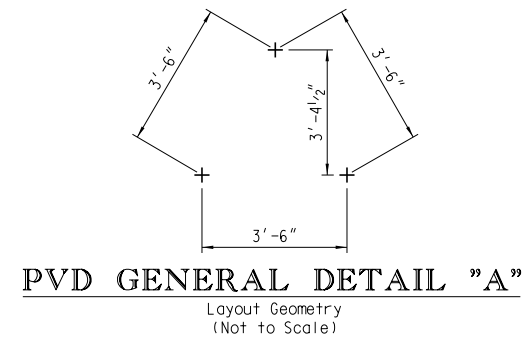
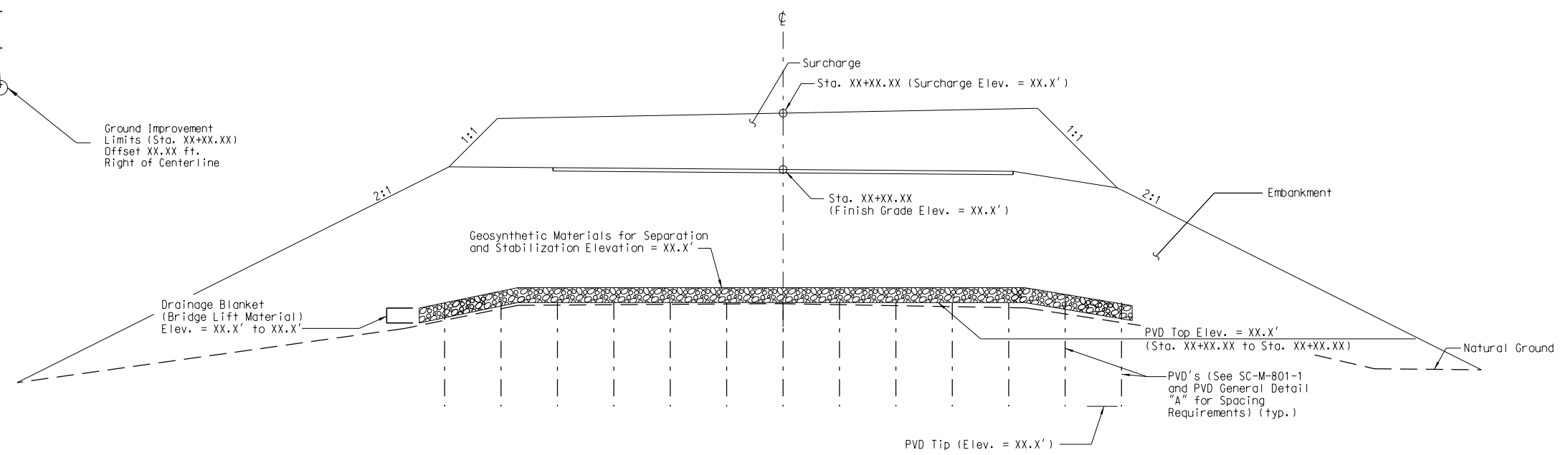


**PLAN**  
(Not to Scale)



- Notes:
1. Remove existing asphalt pavement from stations XX+XX.XX to XX+XX.XX prior to installation of prefabricated vertical drains. In addition remove the material between stations XX+XX.XX to XX+XX.XX as shown in the ground improvement limits in plan view to stabilize elevation shown in elevation view.
  2. Prior to installation of the prefabricated vertical drains, stake the proposed location of all drains and any utilities located within the footprint of the prefabricated vertical drains.
  3. See Supplemental Technical Specification Prefabricated Vertical Drain with Fabric (SC-M-801-1).
  4. Place Geosynthetic Materials for Separation and Stabilization (SC-M-203-1) and drainage blanket (stone bridge lift) as identified on Elevation and Plan views.
  5. Construct embankment to proposed finished grade as required by the SCDOT Standard Specifications for Highway Construction.
  6. If required, place surcharge as identified on Elevation and Plan views. The surcharge materials shall be borrow excavation material and shall be placed similarly to the borrow excavation material used to construct the embankment.
  7. At completion of waiting period (determined by Geotechnical Engineer of-Record), remove surcharge materials to final subgrade elevation. The surcharge material may be used either as borrow material in another location on the project or properly disposed of off-site.
  8. Locate all utilities prior to commencing ground modifications.

Note to Designer:  
This template drawing furnished for information only. The sample details provided on this drawing must be replaced with project specific dimensions, details and the notes must be modified appropriately. All drawings must be designed and sealed by a South Carolina Registered Professional Engineer when used.



**ELEVATION**  
(Not to Scale)

REV.				<b>SOUTH CAROLINA DEPARTMENT OF TRANSPORTATION PREFABRICATED VERTICAL DRAINS (PVD)</b>			
REV.							
REV.							
REVIEWED							
QUAN.				FILE NO.	ROUTE	COUNTY	DWG. NO.
DR.	ACB	NEH	02-18	XX.XXXXXX	XXXXX	XXXXX	801-01
DES.				BY	CHK.	DATE	